



(This Service Bulletin is FAA D.O. Authorization SW-1 Approved)

SUBJECT: TOWING LIMITS INDICATOR INSTALLATION

MODELS AFFECTED: M20 S/N 1002 thru 1200
M20A S/N 1201 thru 1700
M20B S/N 1701 thru 1851, 1853 thru 1939
M20C S/N 1852, 1940 thru 3466, 670001 thru 670149, 680001 & 680002
M20D S/N 1, 101 thru 260
M20E S/N 101 thru 1308, 670001 thru 670062
M20F S/N 660001 thru 660004, 670001 thru 670539, 680001 thru 680107
M20G S/N 680001 & 680002

TIME OF COMPLIANCE: Optional (at owner's discretion).

INTRODUCTION: Forcing the nose gear beyond its turn limits during towing may damage the nose gear trusses. Therefore, decals and a pointer are to be installed on the nose gear leg to indicate towing turn limits.

INSTRUCTIONS: NOTES A. Decals 150036 and 150037 are self adhering (pressure sensitive).
B. Refer to illustration on reverse side for clarification of the following instructions:

- 1) Clean spindle and truss surfaces in areas where decals will be applied.
- 2) Adhere decal P/N 150036 to center of horizontal nose gear leg truss tube.
- 3) Install pointer P/N 540018 to nose gear truss, and align pointer at center of 150036 decal while nose wheel is set straight forward (at center of turn travel).
- 4) Adhere decal P/N 150037 to center of horizontal nose gear spindle tube.

SERVICE BULLETIN KIT: NO. M20-151

540018 Pointer (one)
150036 Decal (one)
150037 Decal (one)
Adel 738-14-10 Clamp (one)
AN 3-4A Bolt (one)
AN 960-10L Washer (two)
AN 365-1032 Nut (one)
Mooney Compliance Card (one)

This Service Bulletin Kit may be purchased from your local Mooney dealer or distributor. Direct factory orders will not be accepted.

COMPLIANCE: Upon compliance with this Service Bulletin, fill out enclosed card and mail to Mooney Aircraft, Inc., Kerrville, Texas 78028

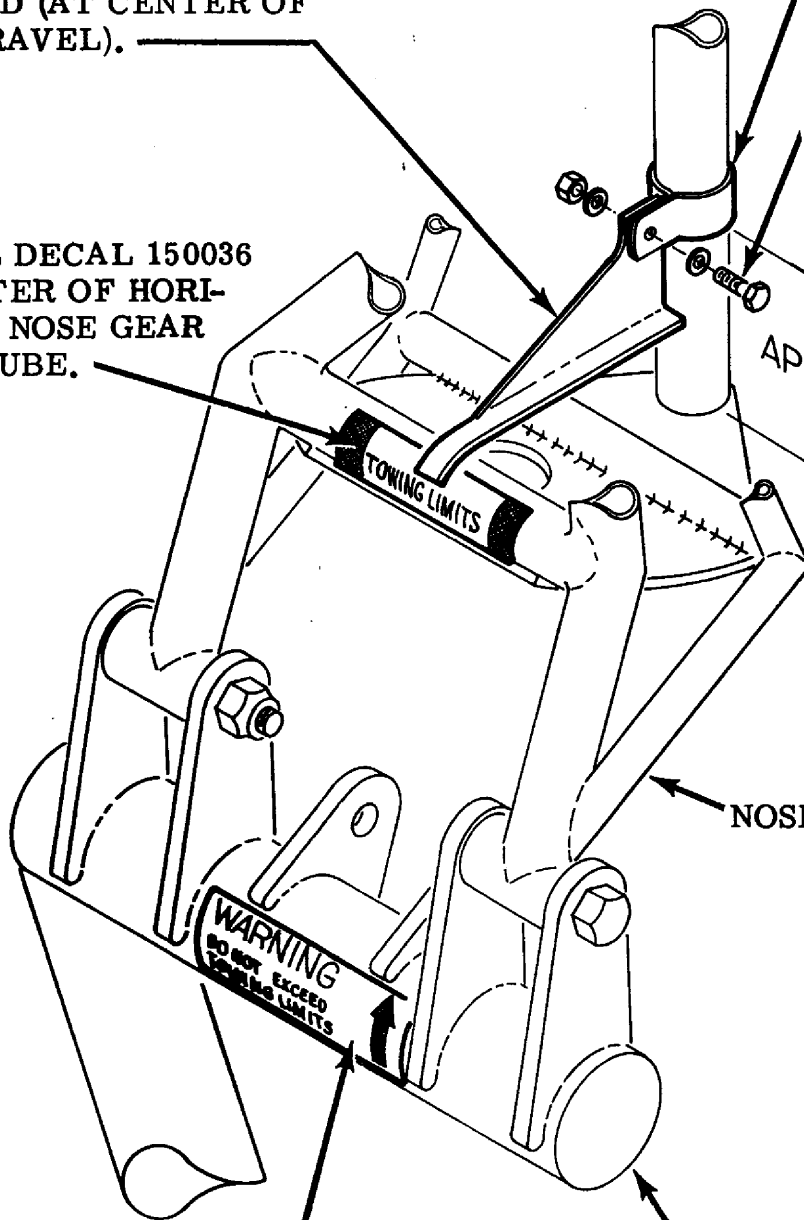
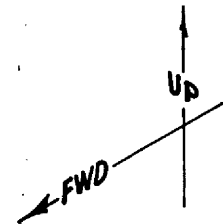
INSTALL POINTER INDICATOR 540018 WITH POINTER ALIGNED AT CENTER OF DECAL 150036 WHILE NOSE WHEEL IS SET STRAIGHT FORWARD (AT CENTER OF TURN TRAVEL).

ADEL 738-14-10 CLAMP

AN 3-4A BOLT
AN 960-10L (2) WASHERS
AN 365-1032 NUT

INSTALL DECAL 150036 AT CENTER OF HORIZONTAL NOSE GEAR TRUSS TUBE.

APPROX. 2.2"



NOSE GEAR TRUSS

INSTALL DECAL 150037 TO CENTER OF HORIZONTAL NOSE GEAR SPINDLE TUBE.

NOSE GEAR SPINDLE